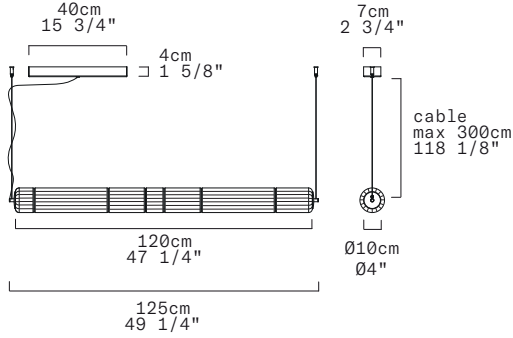


# STACKING S 120 H RIG - INDOOR

David Rockwell, 2024

North America

**LEUCOS**



Discover more

REPLACEABLE LED




## 100-277Vac 50-60Hz standard version

(supplied with canopy & driver)

DIMMING PROTOCOL	0/1-10V; Phase cut			
FINISH (DIFFUSER + STRUCTURE)	SOURCE	CODE	QTY	TYPE
Transparent Rigadin + Anodized Aluminum	LED 3000K LED 2700K	0013575 0013576		
Tobacco Rigadin + Anodized Aluminum	LED 3000K LED 2700K	0013782 0013783		

## ON REQUEST

DIMMING PROTOCOL	0/1-10V; Phase cut			
FINISH (DIFFUSER + STRUCTURE)	SOURCE	CODE	QTY	TYPE
Tobacco Rigadin + Matte Black Aluminum	LED 3000K LED 2700K	0013786 0013787		

TECHNICAL SHEET	
MATERIALS	Diffuser: Blown Borosilicate Glass Structure: Aluminum
DIMENSIONS	Diffuser: [04" L47 1/4"] Ø10cm L120cm Canopy: [15 3/4" x 2 3/4" x H1 5/8"] 40cm x 7cm x H4cm Cable length: [118 1/8"] 300cm
CANOPY	Matte White
LIGHT SOURCE	5 X LED STRIP 28,75W (total) 2523 lm (delivered) 3000K CRI≥90 5 X LED STRIP 28,75W (total) 2472 lm (delivered) 2700K CRI≥90
DIMMING PROTOCOL	0/1-10V; Phase cut
MARKING	DRY LOCATION 
NET WEIGHT	15,65 Ibs

PROJECT NAME	
SPECIFIER NAME	

We reserve the right to change our product specifications.  
Please visit [www.leucos.com](http://www.leucos.com) for the latest product information

**STACKING S 120 H RIG - INDOOR**

David Rockwell, 2024

**24Vdc version installation with remote driver  
(supplied without canopy & driver)**

DIMMING PROTOCOL	Driver and canopy not included			
FINISH (DIFFUSER + STRUCTURE)	SOURCE	CODE	QTY	TYPE
Transparent Rigadin + Anodized Aluminum	LED 3000K	0013577		
	LED 2700K	0013578		
Tobacco Rigadin + Anodized Aluminum	LED 3000K	0013784		
	LED 2700K	0013785		

**ON REQUEST**

DIMMING PROTOCOL	Driver and canopy not included			
FINISH (DIFFUSER + STRUCTURE)	SOURCE	CODE	QTY	TYPE
Tobacco Rigadin + Matte Black Aluminum	LED 3000K	0013788		
	LED 2700K	0013789		