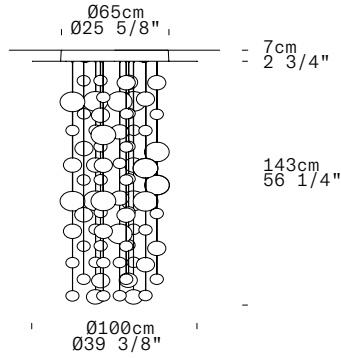


ETHER S 150 - INDOOR

Patrick Jouin, 2006

North America

LEUCOS



Discover more



TECHNICAL SHEET	
MATERIALS	Diffuser: Borosilicate Blown Glass Structure: Steel
DIMENSIONS	Diffuser: [Ø39 3/8" H56" 1/4"] Ø100cm H143cm Canopy: [Ø25 5/8" H2 3/4"] Ø65cm H7cm
LIGHT SOURCE	G53 4 x 15W LED Bulb G53 4 x 15W LED Bulb + GU5,3 1 x 8W LED RGB Bulb 6601m
MARKING	DRY LOCATION
NET WEIGHT	81,13 Ibs
ON REQUEST	Special Versions

FINISH (DIFFUSER + STRUCTURE)	SOURCE	CODE	QTY	TYPE
Transparent + Polished Steel	G53	0010062		
Transparent + Polished Steel	G53 + GU5,3*	0010063		
NOTE	*GU5,3 LED with RGB + REMOTE CONTROL (included, usable until 5M)			

PROJECT NAME	
SPECIFIER NAME	

We reserve the right to change our product specifications.
Please visit www.leucos.com for the latest product information